



LOKI is the world's first purpose built tactical sUAS. Designed and built in conjunction with several of the worlds top counter terror units, LOKI MK2 solves virtually all of the problems associated with the tactical use of commercial UAS systems. LOKI is intended for close quarter, indoor and outdoor tactical scouting missions, and features a highly sensitive Night-Day + IR sensor camera giving it the ability to fly and see in complete darkness.

LOKI KEY FEATURES:

- Purpose built flight controller that does not require internet service, GPS, or a phone or tablet for usage, but can control up to four devices simultaneously
- Integrated flight stability allowing for virtually anyone to fly LOKI with limited training, without relying on GPS, lighting, or other perishable sources to maintain flight control
- Rapid deployment design allowing for hand thrown deployment in seconds, rather than the minutes associated with commercial systems
- No forced software or firmware updates which ensures operational readiness at all times
- Analog video and flight control frequencies which prevent lag or screen freezes that cause loss of control
- No onboard video or image capture with no uploading of any data, which provides data security in case of loss
- Scrambled video relay capability providing for secondary viewers and/or streaming options without concerns of signal interception
- Ruggedized, replaceable cloverleaf design allowing access to very small areas, it simply bounces off of objects rather than crashing
- Payload hardpoint for attaching optional, additional payloads including a diversionary device, glass breaker, and more.
- Dimmable and selectable IR LEDs on the front and bottom providing flight stability, video clarity, and NVG lighting without the blooming caused by over-lighting
- Extended battery design providing 16mins of flight or up to 6 hours of video and sound transmission when perched
- Made in Europe by NATO allies, not in China

AARDVARK is committed to providing the highest quality and most innovative integrated products and services possible. It is AARDVARK's objective to establish long term relationships with our clients and suppliers by always conducting ourselves with honesty, integrity, and dedication to our end users.

AARDVARK produces fully Integrated Systems of mission-specific modules and industry leading equipment designed to work together to accomplish our client's mission.

AARDVARK provides innovative integration and mission support services with top of market client service from a knowledgeable staff whose primary objective is ensuring the safety and operational effectiveness of our clients.

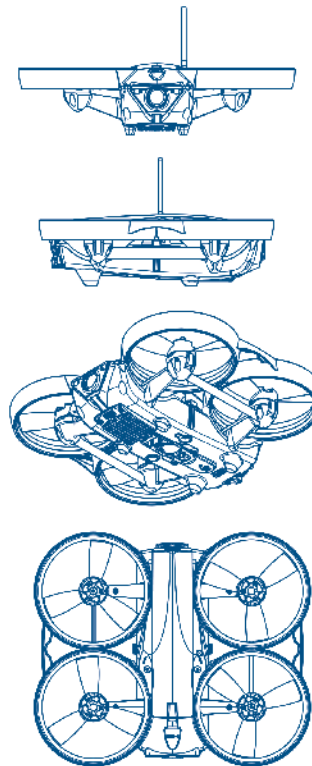
For more information please contact:

AARDVARK
1935 PUDDINGSTONE DRIVE
LA VERNE, CA 91750
P (800) 997 3773 F (909) 392 3823

AARDVARKTACTICAL.COM



Size (l.w.h)	208 x 45x 63 mm
Weight	380 gr without battery
Camera	- 1/2" EO/IR ccd sensor - 0.00008 lux min illumination - WDR, 3d noise reduction - Black-white night mode - IR 1,8 mm f 1,2 lens (150° wide view angle)
Video transmission	5,8 Ghz ISM, FPGA Scrambled
Remote control	868-915MHz UHF Aes 256 encrypted
Payload max weight	200 g (with recommended battery)
Wind resistance	7 m/s
Working temperature	-10°C / +40°C (flight time 30 % reduced at lowest temp)
Flight time	15 min (with recommended battery)
Video transmission time	300 min (with recommended battery)
Recommended battery	LiPo 3S 2400 mAh / 26,66 wh, 20 C, 138 gr
Power connector	12 pins
IR led front bottom, remote controlled 0 to 2 Watt, 850 Nm	
HD Microphone(mono)	
External UART connector (payloads)	
No data recording	
Computer vision position holding	



Size (l.w.h)	108 x 240 x 34 mm
Weight	570 gr
Working temp	-10° + 40°C
Battery	Onboard life 6300 mAh 3,7 V
Working temp approx	200 min
Screen	- Screen 5" 16/9 HD LCD - Gorilla glass 5 Screen protection - 700 cd/m ²
Video reception	- 99 db dual ISM receivers 5,8 Ghz - Embedded 9 dbi ceramic array antenna - FPGA scrambled
RF	- 868-915 UHF - AES256 encrypted - Main control CRSF - 2,4 Ghz Mesh-system (multi GCS coop mode)
Connector	- USBC main connector - Audio out jack 3,5 mm - Audio-video out jack 3,5 mm - Audio-video in jack 3,5 mm
Label	CE-FCC compliant

