



Built in conjunction with the world's top counterterrorism teams, SIGYN is a 4-wheeled micro robot with the ability to operate almost silently, in complete darkness, and in a GPS, WiFi, and cellular denied environment. Featuring multiple IR LEDs and dual day-night cameras with a 150-degree view, SIGYN provides a clear view in virtually any lighting conditions.

SIGYN KEY FEATURES:

- Embedded inertial motion sensor allowing smart drive modes and automatic forward facing camera selection
- Uses market-standard batteries that can be swapped within 30 seconds
- Analog A/V signal, scrambled via FPGA, prevents lag or screen freezes
- Highly sensitive microphones to enable high-quality audio capture
- Dimmable and selectable IR LEDs on front, back, and top provide excellent video clarity
- Symmetrical design and oversized wheels prevent SIGYN from being knocked over
- Rapid and interchangeable payload systems
- Payload hardpoint for attaching optional, additional payloads including a diversionary device, glass breaker, and more.
- Compatible with the Sky-Hero GCS system

AARDVARK is committed to providing the highest quality and most innovative integrated products and services possible. It is AARDVARK's objective to establish long term relationships with our clients and suppliers by always conducting ourselves with honesty, integrity, and dedication to our end users.

AARDVARK produces fully Integrated Systems of mission-specific modules and industry leading equipment designed to work together to accomplish our client's mission.

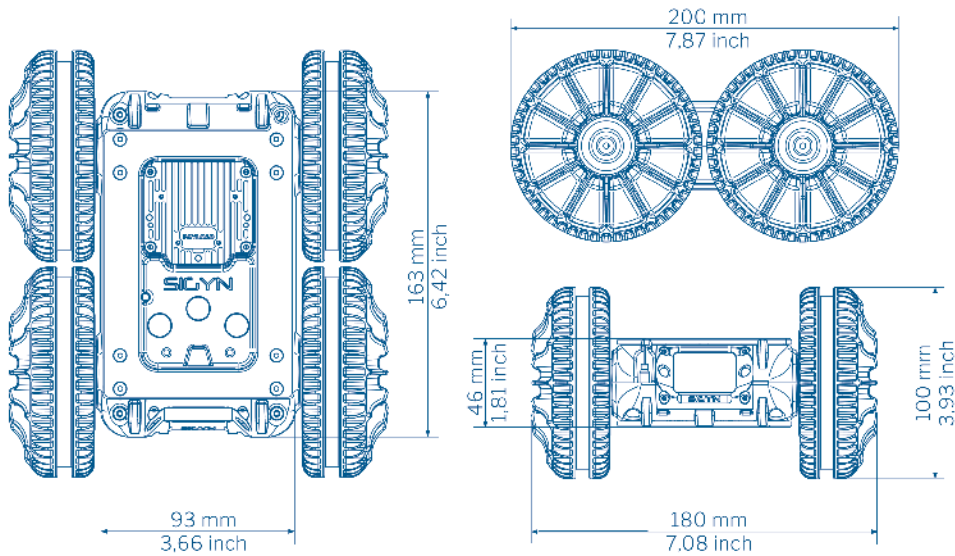
AARDVARK provides innovative integration and mission support services with top of market client service from a knowledgeable staff whose primary objective is ensuring the safety and operational effectiveness of our clients.

For more information please contact:

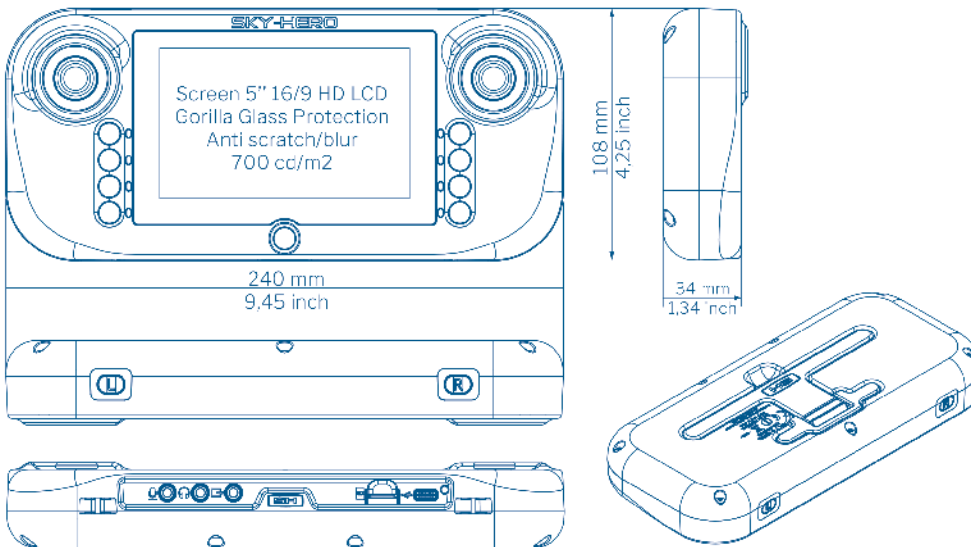
AARDVARK
1935 PUDDINGSTONE DRIVE
LA VERNE, CA 91750
P (800) 997 3773 F (909) 392 3823

AARDVARKTACTICAL.COM





Average Speed	1,7 m/s 3,8 mph
Drive Endurance	120 min
Sentry Endurance	300 min
Range	150 m 164 yd
Weight w/o battery	1150 gr 2,53 lb
Max Payload	2 kg 4,40 lb
Ops Temperature	-20°C to 50°C -4°F to 122°F
Encryption	AES-256
Frequencies	C&C: 868/915 MHz A/V: 5.8 GHz
Power Supply	2xLi-Ion 300mAh Replaceable <30 sec
Basic equipment	
6-axis IMU, 2x EO/IR Camera, HD Microphone, 8x IR LEDs	



Autonomy	200 min.
Weight battery incl.	640 gr 1,41 lb
Ops Temperature	-20°C to 50°C -4°F to 122°F
Power Supply	Li-Ion 6300 mAh Embedded Battery 3,7V
Video Reception	
<ul style="list-style-type: none"> 99 db dual ISM receivers 5,8 Ghz Embedded 9 dbi ceramic array antenna FPGA scrambled 	
Command & Control	
<ul style="list-style-type: none"> 868-915 UHF AES256 encrypted 	
Connector	
<ul style="list-style-type: none"> USB-C main connector Audio out jack 3,5 mm Audio-video out/in jack 3,5 mm 	